

To be specified:

Sensor Toilet Flush Valve

- ❑ Complete Set, Nickel Chrome Plated Finish
 - ❑ TET6LN32#CP (1-1/2" V.B.) - Left and Right Rough

Complete set supplied with:

- ❑ Angle Stop Set - VBXCP-32
 - 1" Angle Stop - 10077t3
 - Spud Nut & Escutcheon - 71051Nt6
 - Sweat Solder Kit - TH559EDV5J3
- ❑ 24" Vacuum Breaker- 10075T1L

- ❑ Valve only, Nickel Chrome Plated Finish
 - ❑ TET6LN- Left and Right Rough

Z-4000-J - Adapter for Ground Joint Angle Stops

Meets the American Disabilities Act Guidelines and ANSI A117.1 requirements for people with disabilities.



TET6LN32#CP

AUTOMATIC FLUSHING SYSTEM

TOTO®, the world leader in advanced plumbing systems, provides sensor operated flush valves for facilities demanding the finest sanitation equipment for busy restrooms. "Hands-free" technology effectively reduces unsanitary conditions from unflushed fixtures.

SELF-GENERATING POWER SYSTEM

TOTO's new technology of automatic generator flush valves offer easy installation without the cost and downtime required to install power supplies and wiring for each valve. **A hydro-powered turbine charges the power supply during usage eliminating the need for a battery replacement or consumption of external power for up to 10 years.**

SUPERIOR PISTON VALVE

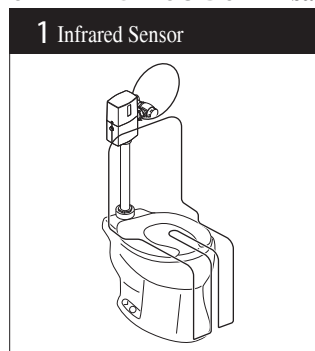
TOTO's piston valve technology is a marked improvement over traditional rubber diaphragm type valves. Longer piston travel and SELF-CLEANING 360° debris screen reduce common problems such as continuous running and flooding. The piston seat itself will not warp or mis-seal thus, significantly reducing repair and maintenance costs. A micro-porous cup seal keeps the piston self-lubricated upon each activation with the incoming water supply.

NEUTRAL ROUGH-IN

TOTO's sensor flush valve has neutral rough-in, it can be used as right or left rough-in with no modification.

For optimal performance, we recommend using our 1.28 HET flushometers in conjunction with our 1.28 HET commercial toilets.

OPERATING PROCEDURE A sanitary environment without using the hands.



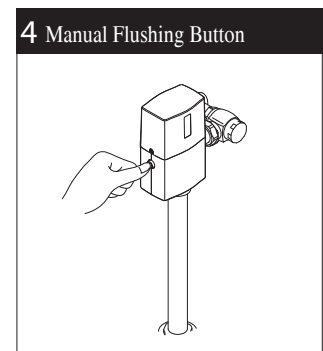
The infrared sensor detects a user sitting on the toilet seat, or standing.



When the user stays in place longer than 10 seconds then moves away, the controller sends a signal to the operating unit to automatically trip the flush valve.



If toilet is not used, the system automatically flushes every 24 hours as a maintenance and hygienic precaution.




Use the manual flush button for maintenance and/or emergencies.



TOTO'S ECOPOWER® FLUSH VALVES

Sensor High Efficiency Toilet (HET) Flush Valve, Exposed, for use with 24" Vacuum Breakers - 1.28 GPF

SPECIFICATIONS

Product	TET6LN#CP- Valve Only, Left and Right Rough, Chrome Plated Finish TET6LN32#CP- Complete Set (1-1/2" V.B.), Left and Right Rough, Chrome Plated Finish
Power supply	Hydro-Power Charge , 10 years based on 2,000 cycles per month (Backup battery: 4 years at 4,000 cycles per month without recharging)
Supply water pressure	35 psi - 125 psi*
Water supply pipe	1" NPT
Discharge quantity	Factory setting at 1.28 GPF/4.8 LPF
Ambient temperature	32°-104°F (0°-40°C)
Trap seal protection	Automatic flushes once after twenty-four (24) hours of non-use
Detection time	Factory setting at ten (10) seconds minimum
Detection range	Self-adjusting to environment
Warranty	Limited three (3) year warranty on all component parts. Details available upon request.
Listings	 A.S.S.E. 1037

These dimensions and specifications are subject to change without notice.

*Water pressures over 80 psi are not recommended for most plumbing fixtures.

U.S. Patent Pending

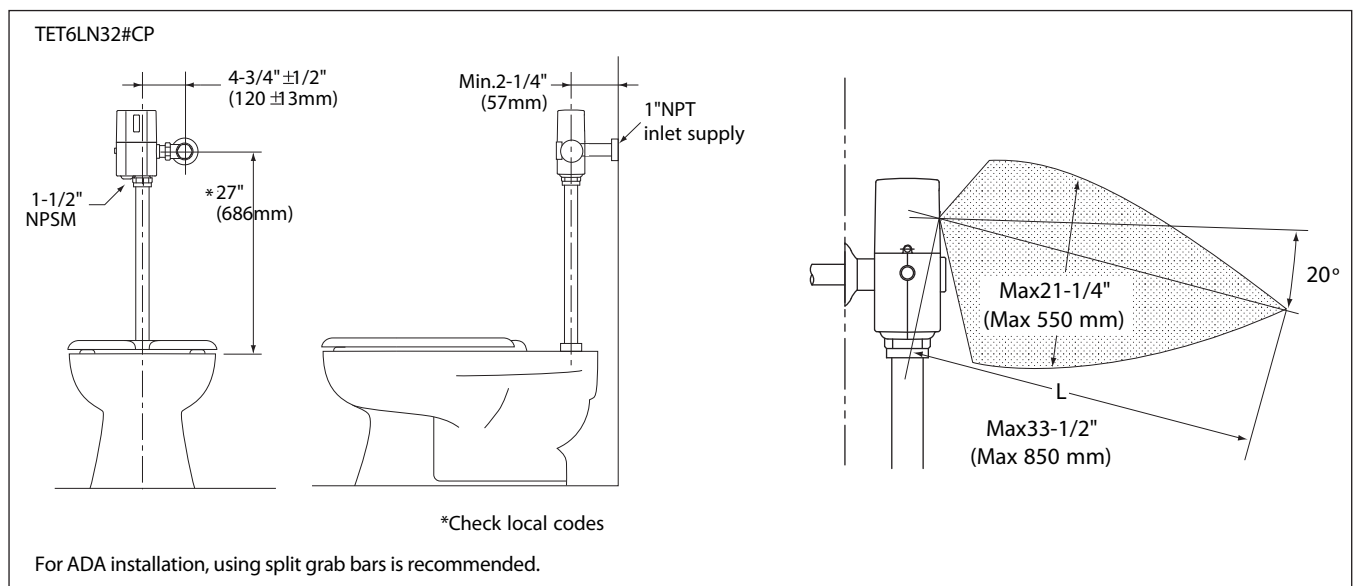
SUGGESTED ENGINEERING SPECIFICATION:

TOTO® Model No. _____

Automatic infrared sensor activated, piston toilet flush valve designed for use with 24" vacuum breakers. Heavy-duty zinc die cast cover with nickel chrome finish. Vandal resistant hex head screws. Automatic sensor adjustment on installation. Manual override button. Piston valve and solenoid with self-cleaning

mechanism. Automatic flush every twenty four hours if not used. Angle stop and vacuum breaker included with accessories. Through the use of TOTO's EcoPower® Flush Valves, using the valve 2000 times a month will fully recharge the valve for up to 10 years.

DIAGRAM:



TOTO®